



**Norsat**  
International Inc.

**Innovative Communication Solutions**

# LNB

## C-BAND PLL

### 5200R



### SPECIFICATIONS

<b>Noise Temperature</b>	15K typ., 30K max. at room temp. @ CF
<b>L.O. Stability</b>	± 150 KHz, ± 250 KHz
<b>Phase Noise (SSB) max.</b>	-65 dBc/Hz at 1 kHz -80 dBc/Hz at 10 kHz -95 dBc/Hz at 100 kHz
<b>Input VSWR</b>	2.5 : 1 max.
<b>Output VSWR</b>	2.5 : 1 max.
<b>Gain</b>	62 dB typ., 55 dB min., 70 dB max.
<b>Gain Flatness (over full band)</b>	≤ 5 dB p-p
<b>Output P1dB</b>	+ 5 dBm min.

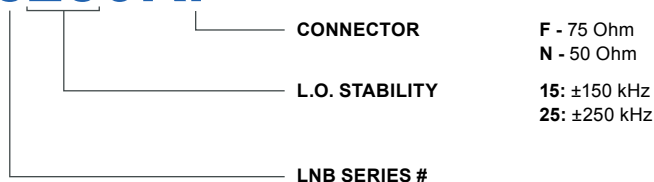
<b>DC Power</b>	+ 12V to + 24V DC
<b>Current</b>	250 mA max.
<b>Input (waterproof)</b>	CPR 229G waveguide grooved
<b>Output (waterproof)</b>	F-Connector (75 Ohm) N-Connector (50 Ohm)
<b>Dimensions (L x W x H)</b>	190 mm x 114 mm x 79 mm (7.5 in x 4.5 in x 3.1 in)
<b>Weight</b>	580 g (20.45 oz)
<b>Operating Temperature</b>	- 40 to + 60°C
<b>Storage Temperature</b>	- 50 to + 70°C

### FREQUENCY BANDS

<b>Frequency Band (GHz)</b>	3.7 - 4.2
<b>L.O. Frequency (GHz)</b>	5.15
<b>IF Frequency (MHz)</b>	950 - 1450

### HOW TO ORDER

## 5250RF



**Norsat**  
International Inc.

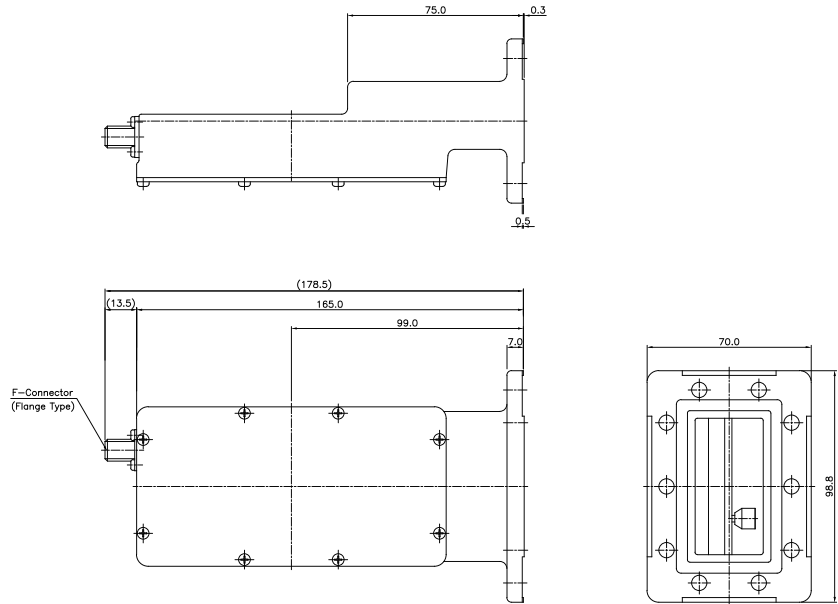


[sales@norsat.com](mailto:sales@norsat.com)  
[www.norsat.com](http://www.norsat.com)



# C-BAND 5200R PLL LNB

## MECHANICAL DIAGRAM



## TERRESTRIAL INTERFERENCE REJECTION

